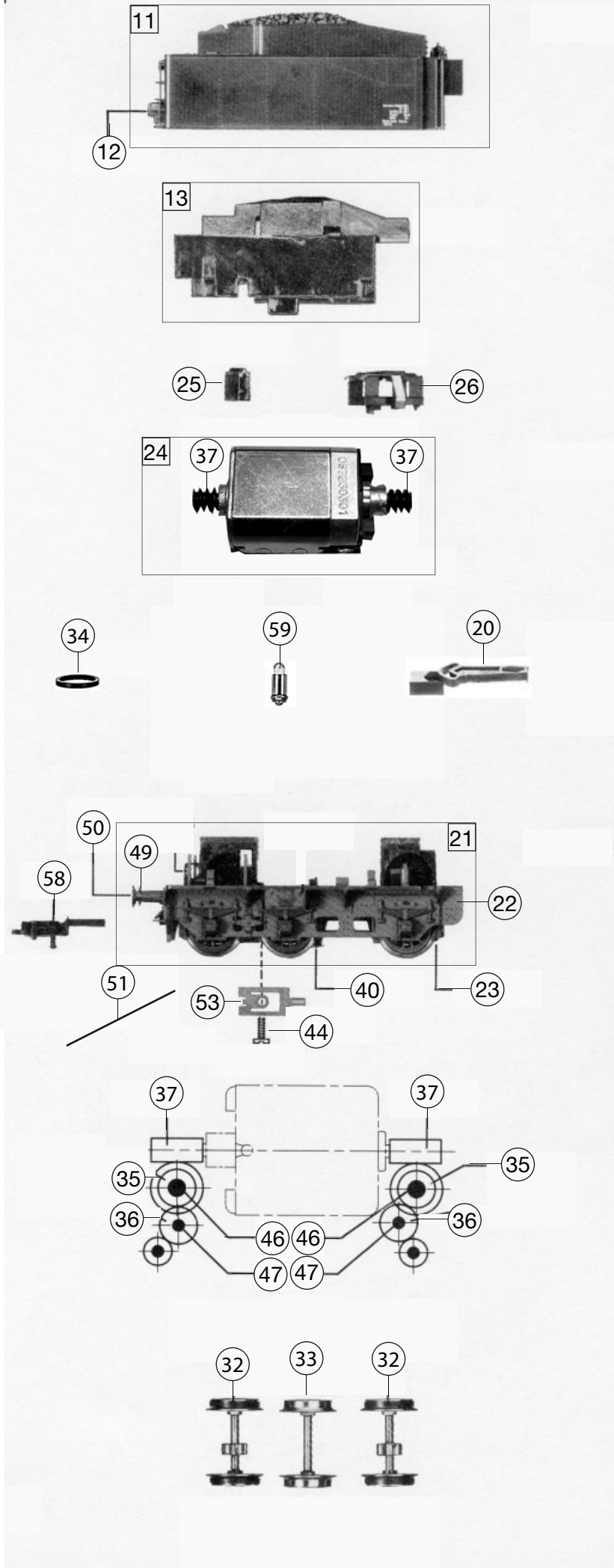


415601		BR 56.20-29	DB 56 2621	=	HO
Pos. Nr. Pos.no.	Beschreibung Description	Art.-Nr. Art.no.	Preisgruppe Price bracket		
1	LOKGEHAEUSE KPL. OHNE FÜHRERHA Loco boiler complete w/o driver's cab	10415601	32		
2	FUEHRERHAUS KPL. Loco driver's cab, complete	11415601	18		
3	LICHTLEITER Light conductor	00134156	5		
4	FENSTER Window	00144156	6		
5	UMLAUFBLECH Running board	15415601	18		
6	BESCHWERUNG Ballast	16415901	12		
7	PFEIFE Whistle	00194607	4		
8	REICHSBAHNLAMPE REICHSBAHN lamp	00194811	8		
9	BREMSSCHLAEUCHE-SATZ Brake hose set	00194815	11		
10	LUFTKESSEL F. BR 56 Air tank	00194816	4		
11	TENDERGEHAEUSE KPL. Tender body complete	20415601	---		
12	LICHTLEITER/TENDER 4158 Tender light conductor	00234158	4		
13	TENDERBESCHWERUNG 4156/57/58 Tender ballast	00264156	17		
14	Lokfahrgestell kpl. Loco chassis complete	30415601	---		
15	ABDECKPLATTE UNTEN (Lok) Lower cover plate (loco)	31415601	---		
16	STEUERUNG KPL.M.KUPPELSTANG.U. Reversing gear complete with coupling rod	32415601	---		
17	ZYLINDERKASTEN F.BR 56 Cylinder box	00334156	12		
18	LOKTENDER-KUPPLUNG-SATZ Coupling between loco and tender -set	34415901	11		
19	VORLAUFGESTELL KPL. Set of carrying wheels (front)	37415601	---		
20	KUKU-DEICHSEL Short coupling reception	38403300	6		
21	TENDERFAHRGESTELL KPL.O.MOTOR Tender chassis complete w/o motor	40415601	---		
22	TENDERBODENRAHMEN KPL. Tender framework, complete	41415601	---		
23	TENDERABDECKPLATTE Cover plate for tender	43415601	---		
24	MOTOR F.BR 56 ART.NR. 834900 Motor art. no. 834900	00504157	24		
25	MOTORHALTER F.4165/BR 39 U.56 Motor retainer clip, front	00504902	4		
26	MOTORHALTER HINTEN M.KONTAKT Motor retainer clip, rear, with contacts	50491600	11		
27	KUPPELRAD LINKS Left coupled wheel	00514263	7		
28	TREIBRAD LINKS F. BR 56 Left driving wheel	00514264	7		
29	KUPPELRAD RECHTS ISOL.BR55/56 Right coupled wheel, insulated	00514265	8		
30	TREIBRAD RECHTS ISOL.F. BR 56 Right driving wheel, insulated	00514266	8		
31	ACHSE Axle	00524011	1		
32	RADSATZ m.Z.m.N. Tender wheel with gear, with traction tyre	53422700	14		
33	TENDERRADSATZ O.Z.O.N. Tender wheel w/o gear, w/o traction tyre	00534028	11		
34	HAFTREIFEN HO Traction tyre	00544007	1		
35	UNTERSETZUNGSRAD Reduction gear wheel	56461400	3		
36	ZAHNRAD Gear wheel	56461500	3		
37	SCHNECKE Worm gear	56461600	6		



Pos. Nr. Pos. no.	Beschreibung Description	Art.-Nr. Art. no.	Preisgruppe Price bracket
415601	BR 56.20-29	DB 56 2621	= HO
	STROMABNEHMEREINSATZ (o. Abb.) Power pick-up assy (w/o illustr.)	60415601	---
39	KONDENSATOR o. Abb.) Capacitor (w/o illustr.)	64420900	5
40	KONTAKTPILZGARNITUR L:10 MM Contactor pin assy l=10mm	00644401	11
41	SCHALTLITZE SCHWARZ 350 MM Cable, black, 350mm	00667000	9
42	SCHALTLITZE BRAUN 350 MM Cable, brown, 350mm	00667001	9
43	SCHRAUBE Screw	00700306	1
44	SCHRAUBE Screw	00700406	1
45	SCHRAUBE Screw	00713513	1
46	BOLZEN BRÜN. Bolt	73058500	3
47	BUNDBOLZEN Flanged bolt	73058600	3
48	GEST.BOLZEN KURZ Linkage pin; short	00730552	2
49	STECKPUFFER GEWÖLM.WEIB.RING Plug-in buffer, curved, with white ring	00754040	6
50	STECKPUFFER FLACH.M.WEIB.RING Plug-in buffer, flat, with white ring	00754041	6
51	PUFFERBOHLE KPL. Front side framework complete	75415601	---
52	RICHTFEDER F.4113 Straightening spring	00764020	2
53	DRÜCKFEDER F.LOKRADSATZ Pressure spring for loco wheelset	00764310	1
54	BLATTFEDER F.VORLAUFGEST Pressure spring for front wheelset	00764307	5
55	RICHTFEDER F.VORLAUFGEST Thread straightening spring for front wheelset	00764009	3
	Fleischmann- Steckkupplung (Lok) (o. Abb.) Fleischmann plug-in coupling (loco) (w/o illustr.)	6509	---
	Fleischmann- Steckkupplung (o. Abb.) Fleischmann plug-in coupling (w/o illustration)	6511	---
58	PROFI-STECKKUPPLUNG Profi coupling	6515	---
59	ERS.-GLUEHLAMPE KLAR M.STECKFA Replacement bulb, clear, with plug-in socket	00006535	8
	BUCHSENLEISTE 6-POL.F.SCHNITT. (o. Abb.) Connector interface, 6-pin (w/o illustr.)	00654073	14
	SCHNITTST.-BLINDSTECKER 6-POL. (o. Abb.) Jumper, 6-pin (w/o illustr.)	00664002	13